



AUTOMATED NOISE INSTRUMENTS



The NW-ATE series is an economical and rugged noise instrument suitable for many applications. Applications for this instrument include system and component wireless testing, signal simulation, 10GigaBit Ethernet, HDTV and CATV testing as well as use as a general purpose test source and as an economical source for bit error rate testing.

Specifications:

Output: White Gaussian Noise
 Impedance: 50 Ohms
 Output Connector: SMA female
 Noise Attenuator: 127 dB overall in 1 dB steps
 Control: Local, Ethernet, and IEEE-488
 AC Power Supply: Standard line voltages (100 - 240Vac, 50 - 60Hz, 2A max)
 Operating Temperature: -20°C to +75°C
 Size: 17 x 5.25 x 12.5 inches (3U EIA Rack)

Options include a combiner to allow the user to inject a signal to be added to the noise, various connectors and noise attenuators. Other output levels and frequency ranges are also available; please contact NoiseWave to discuss your needs.

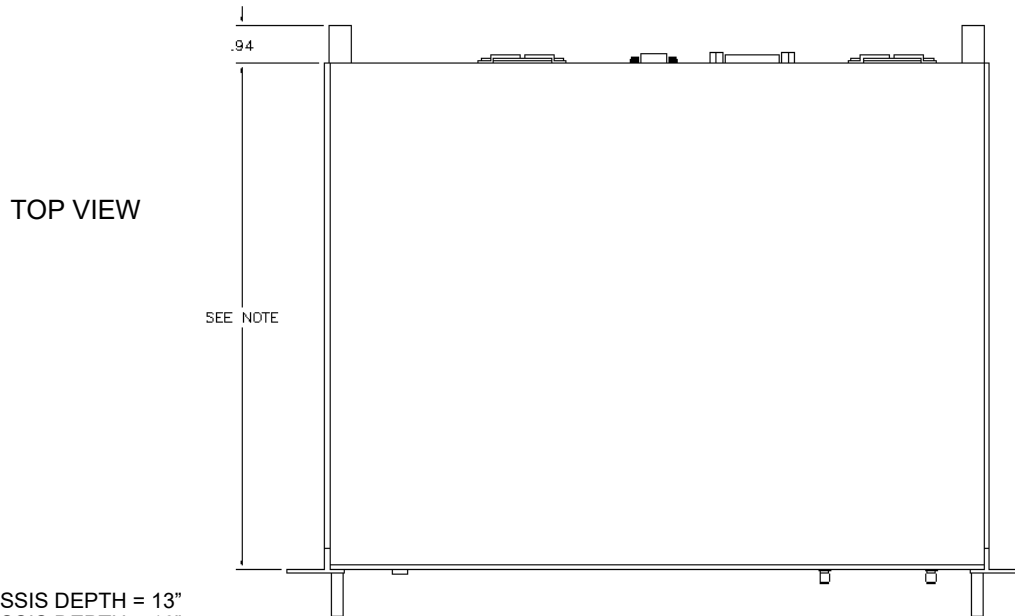
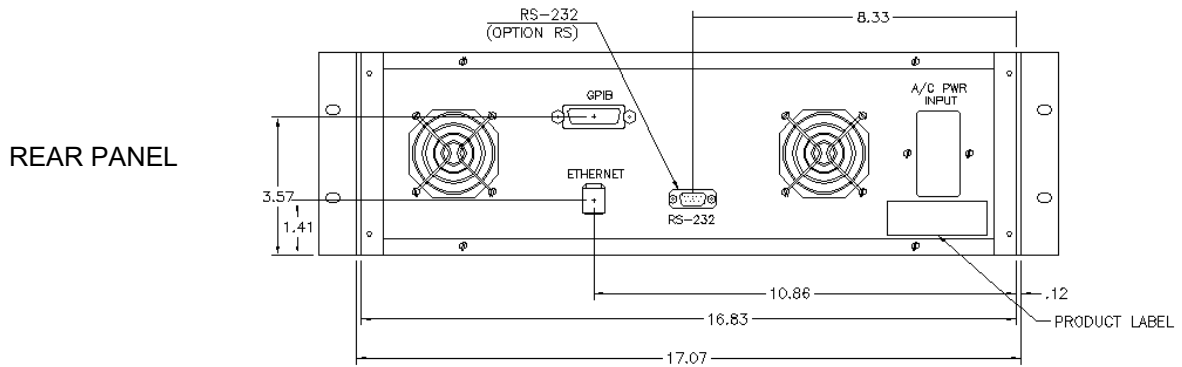
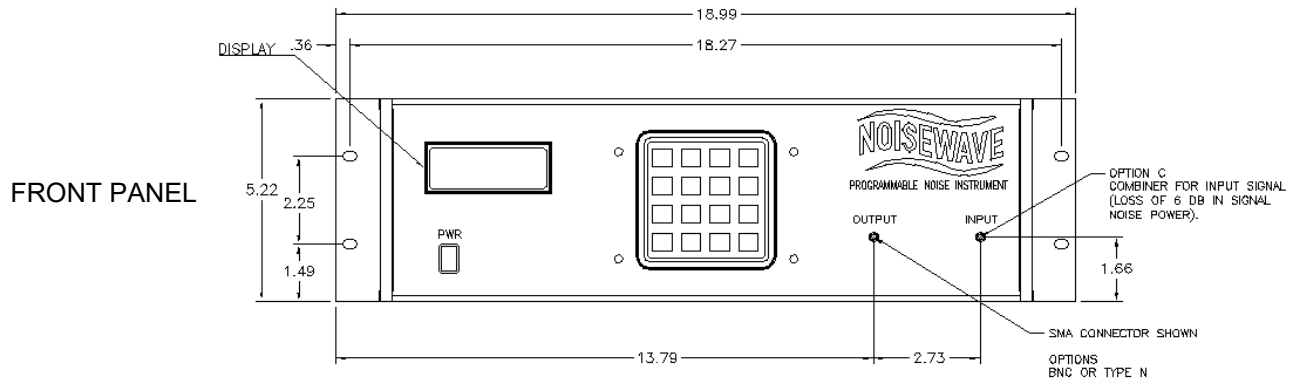
MODEL	FREQUENCY RANGE	OUTPUT POWER (dBm)	FLATNESS (dB)
NW100M-ATE	1MHz - 100MHz	+13	+/- 0.75 max
NW300M-ATE	1MHz - 300MHz	+10	+/- 1.0 max
NW500M-ATE	1MHz - 500MHz	+10	+/- 1.0 max
NW1G-ATE	1MHz - 1GHz	+10	+/- 1.5 max
NW1.5G-ATE	1MHz - 1.5GHz	+10	+/- 1.5 max
NW2G-ATE	1MHz - 2GHz	0	+/- 2.0 max
NW3G-ATE	10MHz - 3GHz	0	+/- 2.5 max
NW4G-ATE	10MHz - 4GHz	-10	+/- 2.5 max
NW6G-ATE	10MHz - 6GHz	-10	+/- 2.5 max
NW10G-ATE	10MHz - 10GHz	-10	+/- 2.5 max
NW18G-ATE	2GHz - 18GHz	-14	+/- 2.5 max
NW40G-ATE	2GHz - 40GHz	-20	+/- 4.0 max

OPTIONS:

- BNC: BNC jack output connector
- N: N female output connector
- 75: 75 Ohm impedance
- SW: Switch up to 4 Noise Bands
- C: Combiner for input signal
- RS: RS232 in addition to Standard IEEE-488
- 0.1N: Additional 0.1 dB Noise step attenuator 127.9 dB (79.9dB for 18 and 40 GHz)
- SA: 127 dB (79dB for 18 and 40 GHz) Signal attenuator in 1 dB steps
- 0.1S: Additional 0.1 dB Signal step attenuator 127.9 dB (79.9dB for 18 and 40 GHz)
- DC: DC coupled signal path

Phone: 973-386-1119
 Fax: 973-386-1131
 E-mail: info@noisewave.com
 Website: <http://www.noisewave.com>

REV: A
 9/2016



STANDARD 19" RACK MOUNT WITH 5.25 (3U) HIGH PANEL

(DIMENSIONS IN INCHES)

NOTE:
 NW-ATE SERIES 1: CHASSIS DEPTH = 13"
 NW-ATE SERIES 2: CHASSIS DEPTH = 16"
 NW-ATE SERIES 3: CHASSIS DEPTH = 20"

DIMENSION LOCATIONS FOR CONNECTORS ARE FOR INFORMATIONAL PURPOSES ONLY. ACTUAL LOCATIONS MAY VARY DEPENDING ON OPTIONS.

Phone: 973-386-1119
 Fax: 973-386-1131
 Email: info@noisewave.com
 Website: <http://www.noisewave.com>

REV: A
 9/2016